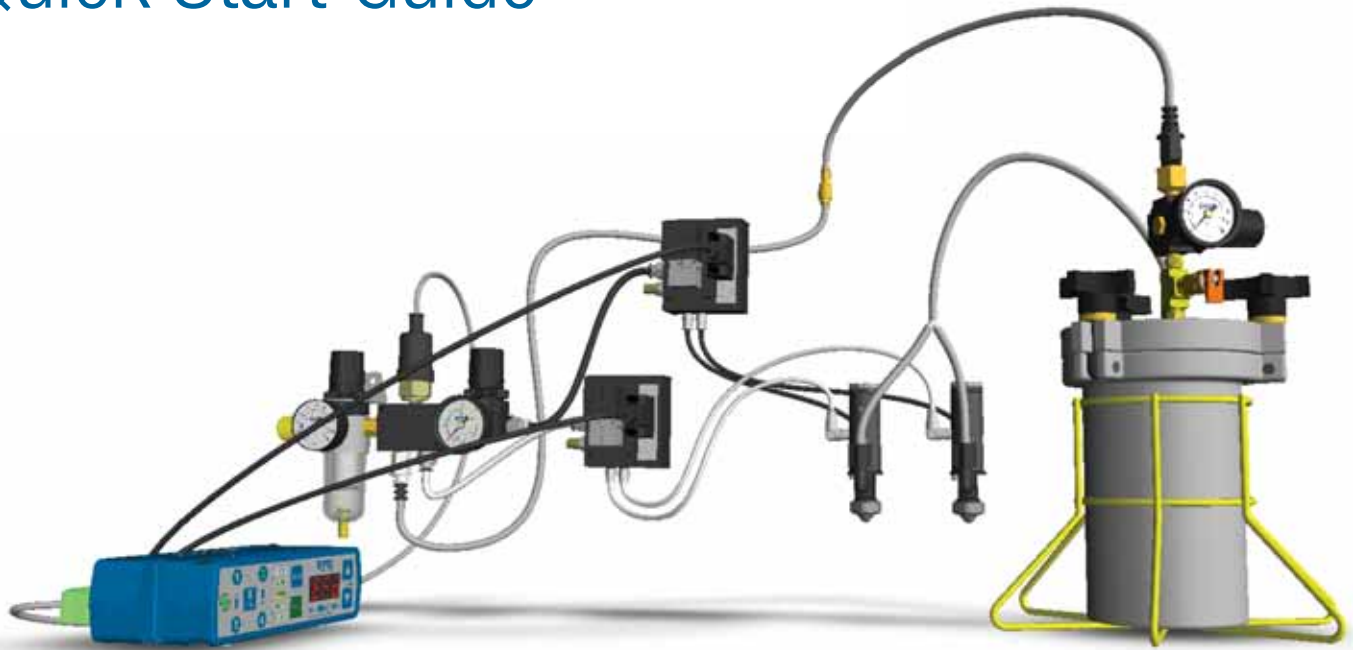


# ValveMate™ 8040

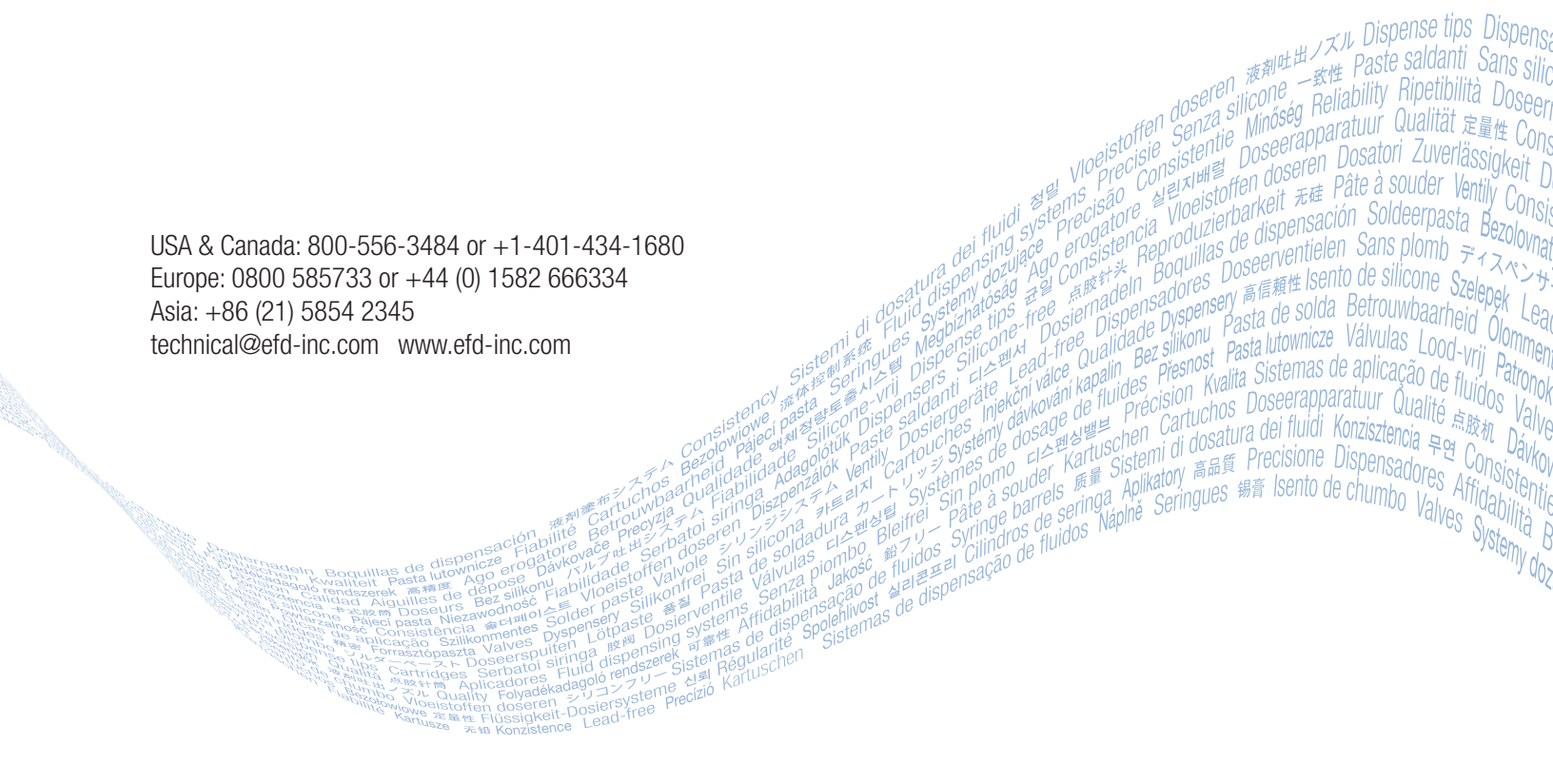
## Quick Start Guide



Electronic pdf files of EFD manuals are also available at  
[www.efd-inc.com/manuals.html](http://www.efd-inc.com/manuals.html).

TM

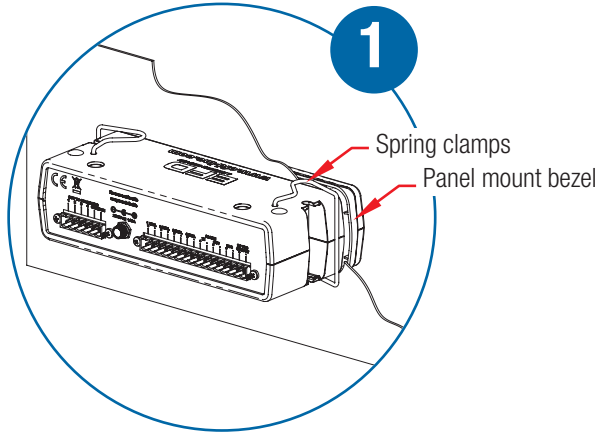
USA & Canada: 800-556-3484 or +1-401-434-1680  
Europe: 0800 585733 or +44 (0) 1582 666334  
Asia: +86 (21) 5854 2345  
[technical@efd-inc.com](mailto:technical@efd-inc.com) [www.efd-inc.com](http://www.efd-inc.com)



Unpack the ValveMate 8040.  
This is also a good time to activate the one-year warranty. Register online at [www.efd-inc.com/warranty/one/](http://www.efd-inc.com/warranty/one/).

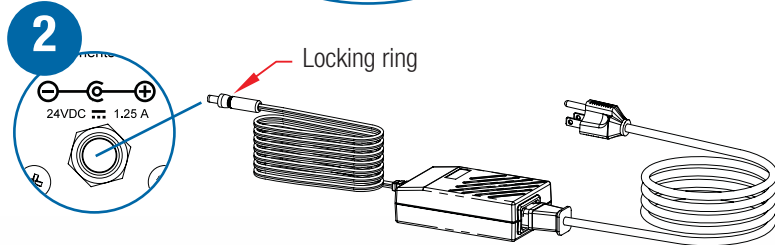
# 1

Mount the VM8040 and input power supply. The ValveMate can be mounted either over or under a cabinet or panel mounted using the bezel mount (included).



# 2

Install and connect the power supply. Connect the power supply cord to the ValveMate input connector. Secure with locking ring.



# 3

Install the air pressure regulator and air solenoids.

- A. Connect the plant air supply to the inlet of the filter regulator.
- B. Connect the solenoid cable between the solenoid and VM8040.

# 4

Connect the low air pressure sensor and tank low level switches (if low level float provided with reservoir) to ALARM IN. \*See note below.

# 5

Connect the initiate I/O to the host machine control circuitry or to the bench initiate switch.

# 6

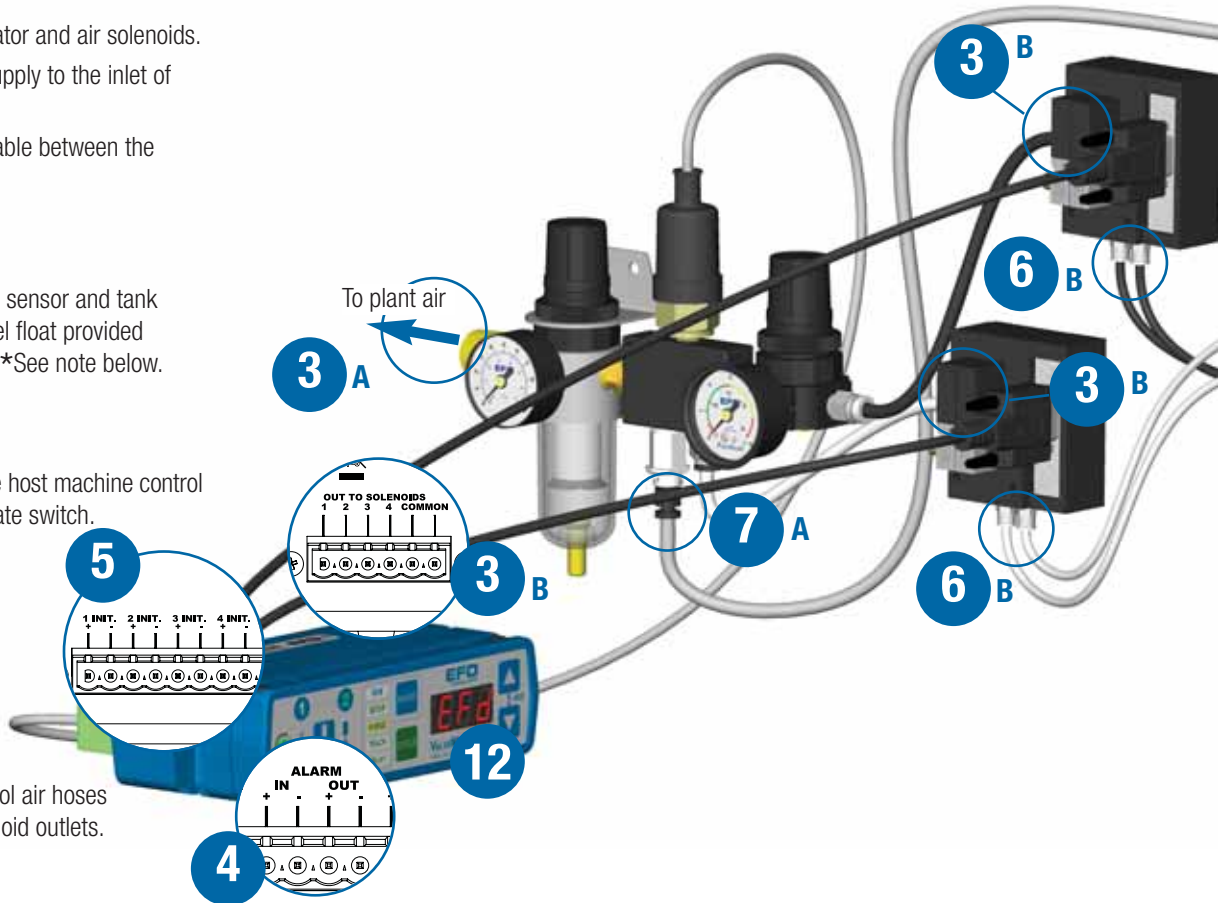
Install the spray valves.

- A. Mount the valves using appropriate mounting hardware.
- B. Connect the valve control air hoses to the appropriate solenoid outlets.

# 7

Connect the fluid reservoir.

- A. Connect the fluid reservoir air pressure regulator to the plant air supply using the air hose and fitting supplied.
  - B. Connect the reservoir fluid lines to the valves.
- Fill the fluid reservoir and secure the cover.

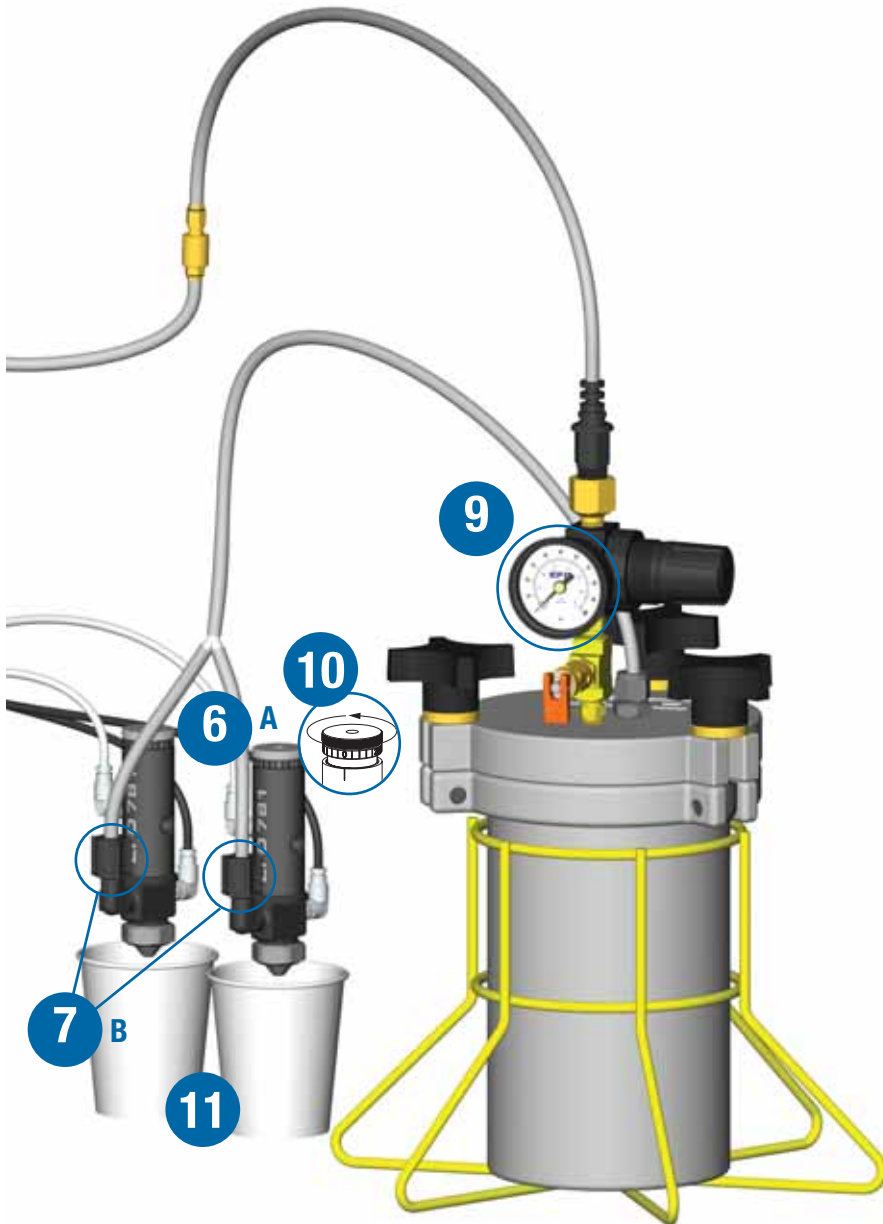


\*Note: Wire additional normally closed alarm sensors in series and connect to the ALARM IN +/- terminals. If no alarm switch is used, the ALARM IN +/- terminals must have a jumper installed to disable the ALARM feature.

## 8

### Final check list

- A. Air pressure to solenoid pack is set to 80 psi (5.5 bar).
- B. For spray valves, nozzle air regulator is set to 0 psi (0 bar).
- C. Solenoids and I/O are wired correctly.
- D. Valves and fluid reservoir are properly connected.
- E. Power to the ValveMate is on, and indicator lamps and LED are lit.



## 9


Set the tank pressure to 5 psi (0.35 bar) for low viscosity fluids and 15 psi (1.03 bar) for medium viscosity fluids.

## 10

Set the spray valve stroke adjustment to 1/2 turn open. This is a starting point only.





## 11

Place a container under the spray valve(s).

- A. Using the MODE  button, place the VM8040 in **PURGE** mode.
- B. Press the **PURGE** button and hold until fluid flows and fluid lines are free of air. Then set the flow rate using the valve stroke setting and tank air pressure. Avoid high tank pressures with low stroke settings.
- C. Set the flow rate by counting drops to about one per second as a starting point.

## 12

Adjusting the spray

- A. Set the nozzle air pressure regulator to 10 psi.
- B. Press the **PURGE** button and observe the spray pattern.
- C. Using the spray valve stroke adjustment and tank air pressure, increase or decrease settings to arrive at the desired spray pattern.
- D. Using the MODE  button, place the controller into the **SETUP** mode.
- E. Press the SEL  button repeatedly until all valve indicator lights are lit.
- F. Enter a spray time of .050 seconds by pressing the up or down arrow next to the LED screen.
- G. With the container still under the valves, press the CYCLE  button to test the deposit amount.
- H. Increase or decrease the valve open time to arrive at the correct deposit size. To equalize all valves, press the SEL  button to highlight individual valves and use the valve open time to equalize the output.



Valve open time is the primary control of deposit size. It is normal to end with different time settings for each valve.



For EFD sales and service in over 30 countries,  
contact EFD or go to [www.efd-inc.com/contact](http://www.efd-inc.com/contact)

**EFD, Inc.**

East Providence, RI USA  
USA & Canada: 800-556-3484; +1-401-434-1680  
info@efd-inc.com www.efd-inc.com

**EFD International Inc.**

Dunstable, Bedfordshire, UK  
0800 585733 or +44 (0) 1582 666334  
Ireland: 00800 8272 9444  
europe@efd-inc.com www.efd-inc.com

**EFD, Inc., Asia**

China: +86 (21) 5854 2345  
china@efd-inc.com www.efd-inc.com/cn  
Singapore: +65 6896 9630 sin-mal@efd-inc.com

©2007 Nordson Corporation 8040-GUIDE-01 v020207  
The wave design is a trademark of Nordson Corporation

