

MicroCoat[®] Lubrication Systems

PARTS & ACCESSORIES LIST



For EFD sales and service in over 30 countries,
contact EFD or go to www.efd-inc.com

EFD, Inc.

East Providence, RI USA
USA & Canada: 800-556-3484; +1-401-434-1680
microcoat@efd-inc.com www.efd-inc.com

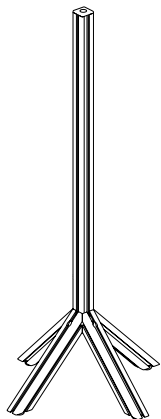
EFD International Inc.

Dunstable, Bedfordshire, UK
0800 585733 or +44 (0) 1582 666334
Ireland: 00800 8272 9444
europe@efd-inc.com www.efd-inc.com

EFD, Inc., Asia

China: +86 (21) 3866 9166
china@efd-inc.com www.efd-inc.com
Singapore: +65 6796 9630 sin-mal@efd-inc.com

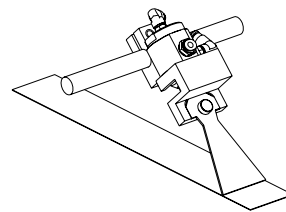
MicroCoat® Accessories



MicroCoat System Stands

Aluminum stands offer convenient, stable mounting of controller and tank reservoir.

Part# 7008017



Valve Alignment Tool

Use to position the valve to provide exact spray coverage. Includes (3) standard and (3) wide fan templates.

Part# 7023866

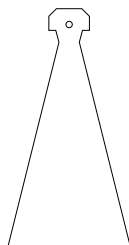
Brackets

MicroCoat controller brackets

Part# 7022163

MicroCoat tank brackets

Part# 7023858



Valve Alignment Template

Use on valve alignment tool. Cut to stock width. (5) per bag.

Part# 7021095

For use with MC785M (Part# 7008020)

Part# 7021097

For use with MC785M-WF (Part# 7008013)



Lubricant Filters

Filters small particles from the lubricant.

Assembly includes mounting bracket and fittings

Part# 7022156

(Note: Includes Part# 7022210 special 6mm fluid tee fitting)

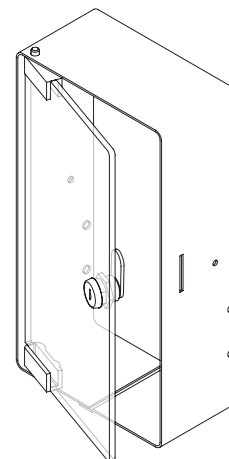
Part# 7017347

Replacement filters, (4) per box

Shield

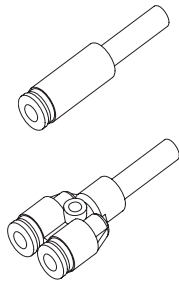
Control panel shield with lock prevents unauthorized adjustment of flow controls. Mounts directly onto MC800 (Part# 7008008) controller. Clear Lexan™ cover with key lock.

Part# 7023891



MicroCoat® Accessories

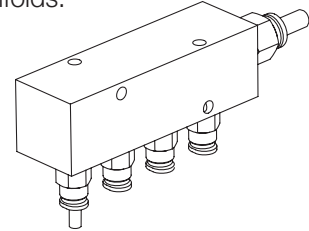
Air Connector / Manifold



Connects air hoses from the controller to the valves.

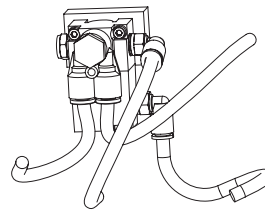
Each of the following contains a set of 2 connectors / manifolds.

- Part# 7022203 Single valve connector
- Part# 7022205 Dual valve connector
- Part# 7022157 (shown) Air manifold, 4 port
- Part# 7008011 Air manifold, 8 port



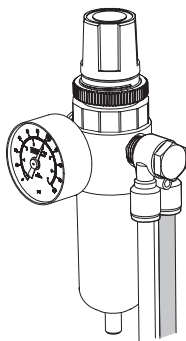
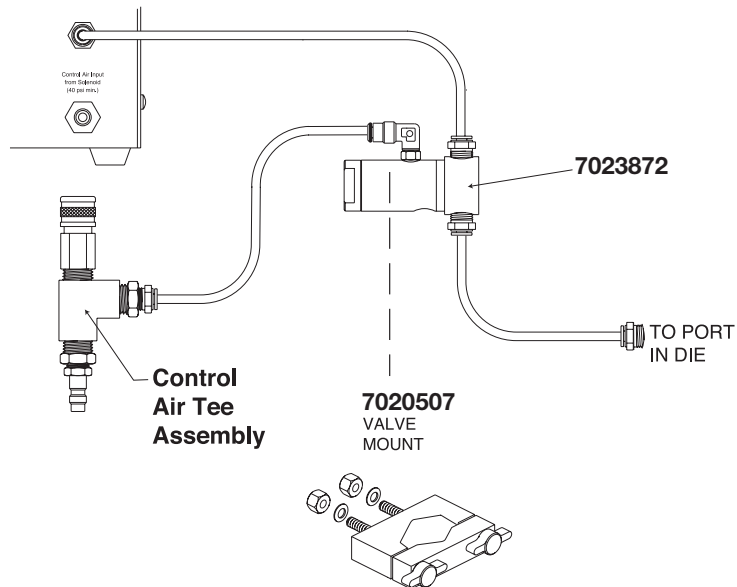
Pilot Valve Replacement Kit (Part# 7022245)

Pilot valve mounting product assembly includes: precut tubing, push-in fittings and mounting hardware.



MC751M (Part# 7023872)

For in-die lubrication. Provides ON/OFF oil flow control to in-die ports.

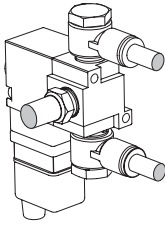


Filter/Regulator, MC800 (Part# 7008008)

5-micron filter/regulator to insure clean, dry air into MC800 controller.

Part# 7022158

MicroCoat® Accessories



Solenoids

3-way solenoid used to provide on/off switching and control. Tied to press run/clutch circuit. Order appropriate cordset to match solenoid voltage.

Part# 7008014	24 volt DC solenoid
Part# 7022162	24 volt AC solenoid
Part# 7022159	100 volt AC solenoid
Part# 7022160	120 volt AC solenoid
Part# 7022161	220 volt AC solenoid
Part# 7016694	AC solenoid cordset
Part# 7008016	DC solenoid cordset

Tubing

Urethane tubing of various O.D.

For MC785M valves

Part# 7008020	4 mm, black
Part# 7022171	4 mm, clear
Part# 7008006	4 mm, white

MC800 controller outlet tubings to air manifolds

Part# 7022175	6 mm, black
Part# 7022176	6 mm, white

System input air lines: constant and control air

Part# 7022180	8 mm, black
Part# 7022181	8 mm, black

Spiral wrap for air/feed lines

Part# 7023377	13mm spiral wrap, black
---------------	-------------------------

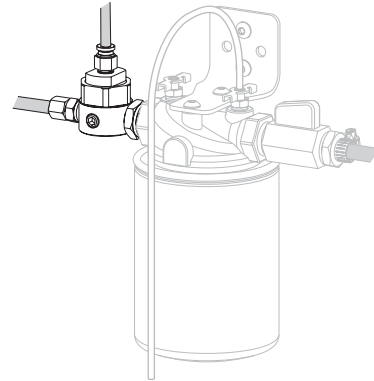


Fluid Regulator

Provides stepdown fluid pressure control when used with pressurized central fluid systems to feed directly into the MicroCoat MC800 (Part# 7008008) controller.

Part# 7023854

Consists of MC filter assembly with fluid regulator attached

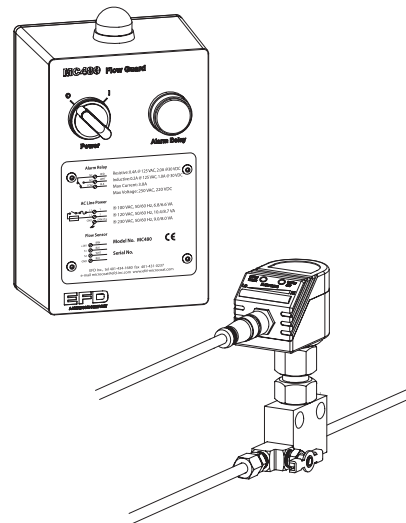


Flow Guard

Provides effective press/die protection by (1) monitoring lubricant flow, and (2) automatically stopping the press if a high or low flow condition occurs.

Part# 7023836	120 VAC version
Part# 7023837	220 VAC version

Includes a flow sensor (Part# 7017529) and Flow Sensor Controller



MicroCoat® MC800 Series Components

MicroCoat Spray Valves

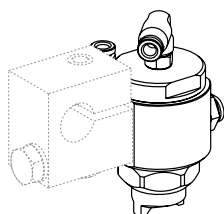
Compact, low-maintenance valve with 4 meter tubing (clear, white, black) and mounting clamp included. Valve fits between the stock feed and die, and applies lubricant in a fine, uniform film without mist or overspray. To simplify installation, refer to valve mounting hardware product sheet.

MC785M (Part# 7008020)

Standard Fan Spray valve up to 3" coverage

MC785M-WF (Part# 7008013)

Wide Fan Spray valve up to 6" coverage



MicroCoat Controller

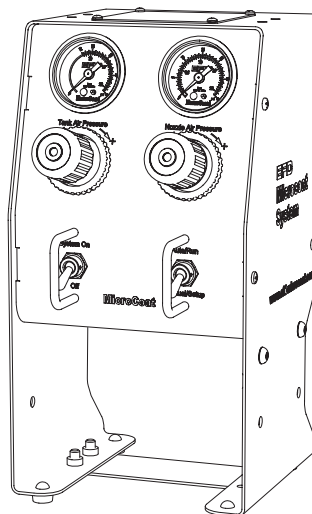
The base controller provides operation of system on/off; Auto/Run or Manual mode; reservoir and nozzle air pressure controls.

MC800 (Part# 7008008) MicroCoat Controller

MC800-15 (Part# 7023877) MicroCoat Controller with 0-15 psi nozzle air control

MC800-PV (Part# 7014102) MicroCoat

Controller with Auxilliary Nozzle Air Input to provide more output nozzle air volume for 6-8 spray valve installations.



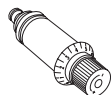
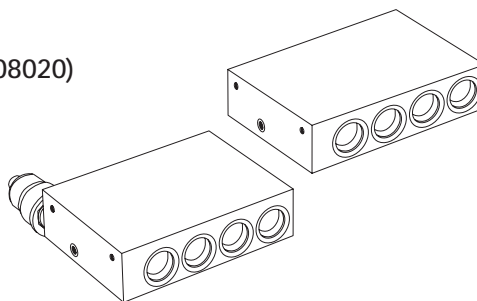
Fluid Manifold

Divides the fluid flow to the different MC785M (Part# 7008020) valves. Each manifold accepts up to (4) flow controls.

Part# 7008010 with pressure sensor

Part# 7008003 without pressure sensor

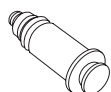
Part# 7022182 pressure switch, 10 PSI



Fluid Flow Control Valve

Provides independent flow control of the fluid lubricant to each spray valve. Each blue ring on the indicator stem signifies one complete rotation.

Part# 7008004

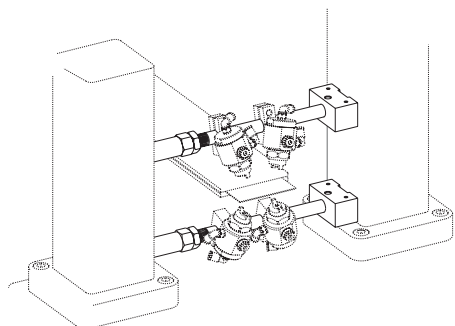


Manifold Block-off Plug

Used to block off fluid flow in unused manifold port.

Part# 7008005

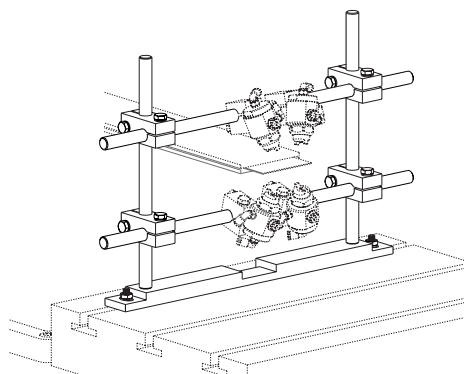
MicroCoat® Valve Mounting Hardware



Expansion Mount

Fits in the press window of four post stamping presses. No need to drill or fabricate attachment hardware; the fixture expands to fit securely between the two posts of the press. Includes (2) sets of 1/2" diameter stainless steel rods and mounting hardware. Two sizes available for press windows up to 12" or 24". Contact EFD if longer lengths are required.

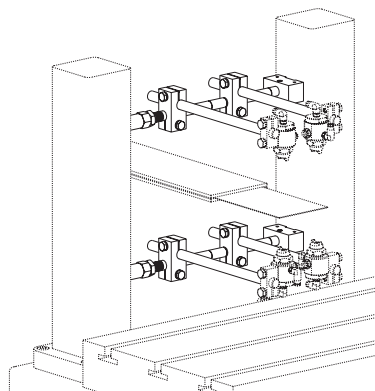
- Part# 7023864 Expansion mount kit (12")
- Part# 7023865 Expansion mount kit (24")



Gantry-style Mount

For installing on bolster plate or other flat area. Includes (4) part# 7023862 cross clamps, (2) 9.4" threaded vertical rods, (2) 15.75" horizontal rods and (1) 13.75" base plate. Vertical rods can be purchased separately for use with 8 mm x 1.25 mm threaded magnetic mounts.

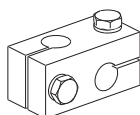
- Part# 7023867 Gantry-style mount kit
- Part# 7021103 Horizontal rod
- Part# 7021102 Threaded vertical rod



Extension Rod

Use with cross clamp to extend valves beyond press window. Stainless steel rod 1/2" in diameter by 4" long.

- Part# 7021098



Cross Clamp

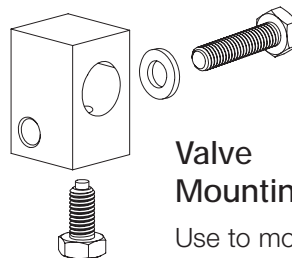
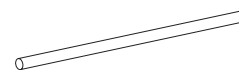
Use to extend valves from expansion or gantry mount.

- Part# 7023862

Mounting Rod

Stainless steel rod 1/2" in diameter by 10" long.

- Part# 7021060



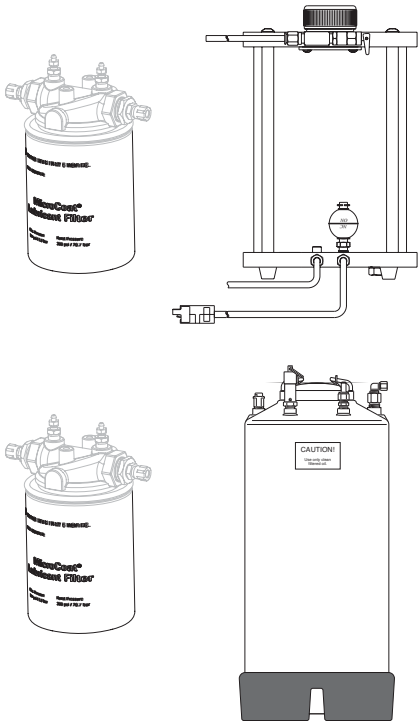
Valve Mounting Clamp

Use to mount MC785 valves to 1/2" diameter rod.

Note: (1) included with each MC785M valve.

- Part# 7021742

MicroCoat® Tanks



Part# 7016750 - 6 mm feed line

Tank Reservoirs

Clear acrylic reservoirs allow easy viewing of oil level and feature a low-level float switch, lubricant filter assembly. Mounting brackets included.

Part# 7023843 3.8 liter or one gallon tank

Part# 7023846 7.5 liter or two gallon tank

19 liter or five gallon reservoirs are made of 304 stainless steel and include a low-level float switch and lubricant filter assembly. Units are freestanding. The MC687-DFS (Part# 7023848) has a second float switch that can be wired to a warning device.

Part# 7023849 Five gallon tank
with low-level float switch

Part# 7023850 Five gallon tank
with double float switch
(detects mid and low level)

MicroCoat Pump/Reservoir System

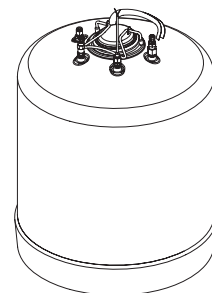
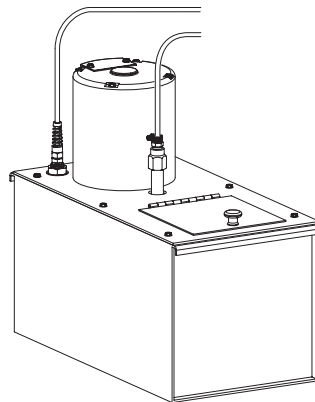
The MC600 system is a gear-type pump that provides consistent fluid feed to the MC800 (Part# 7008008) controller. For lubricant use only. Features include a 6-gallon or 22.71 liter capacity fluid tank, low fluid level detection switch and the MC690-FR (Part# 7023853) fluid regulator.

Part# 7023841 120V motor

Part# 7008002 220V motor

Part# 7020470 Single float switch kit (included)

Part# 7008012 Dual float switch kit
(order separately for auto refill)



20 gallon or 75.71 liter
pressure pot style tank
Part# 7022787



General Fluid Coating Application Profile

name _____ title _____

company _____

address _____

city _____ state _____ zip code _____

e-mail _____ Yes, please send e-news.

telephone _____ fax _____

For recommendations, please complete and fax to **401-431-0237**.

If you prefer immediate application assistance, please call:

Asia: +86 (21) 3866 9166

Europe: 0800 585733 or +44 (0) 1582 666334

USA & Canada: 800-556-3484 or +1-401-434-1680

email: microcoat@efd-inc.com

For online information, please visit:

www.efd-inc.com

1. Please describe your application.

7. What is the available height above and below the material where spray nozzles could be mounted?

_____ above

_____ below

2. What kind of fluid is applied?

viscosity: _____ cps

8. How fast is the material feed?

_____ fpm

3. What is your current method of fluid application?

- drip or drip/pad air spray
 airless spray stock roller
 other _____

9. What process improvements do you want?

- controlled coverage reduce rejects
 reduced maintenance increase output
 clean work environment cut fluid use
 other _____

4. What coverage is required?

- thin continuous
 medium intermittent
 heavy

10. Do you have further comments or questions?

5. Where is the fluid applied?

- top bottom top and bottom

On what material? _____

6. What range of material widths or surface area needs to be coated?

_____ minimum _____ maximum

Action requested ...

- Please call to confirm EFD MicroCoat System will meet my requirements and to make recommendations.
 I am interested in a no-charge evaluation.

My phone number is: _____ ext. _____

Best time to call is: _____ am _____ pm